

05B	DIG SHIELD. CCO# 1503-011	CM		03/02/00									
05A	CCO NO. 1503-004/005/006/007	BRD		04/11/99									
04B	CHANGES AS PER 1503/001	BRD		20/08/99									
03B	ADJUSTED T-CU AS PER PENTEX	BRD		03-06-99									
03A	UPDATE ALC AND AFC	BRD	09A	28-05-01									
02A	SEE NOTES FILE FOR CHANGES	BRD	07B	19-02-01									
08	UPDATED MUTE CIRCUITRY	DBH	07A	03-11-00									
			06A	06-04-00									
REV/ISS	AMENDMENTS	DRAWN	CHKD	D.O.	APVD	DATE	REV/ISS	AMENDMENTS	DRAWN	CHKD	D.O.	APVD	DATE

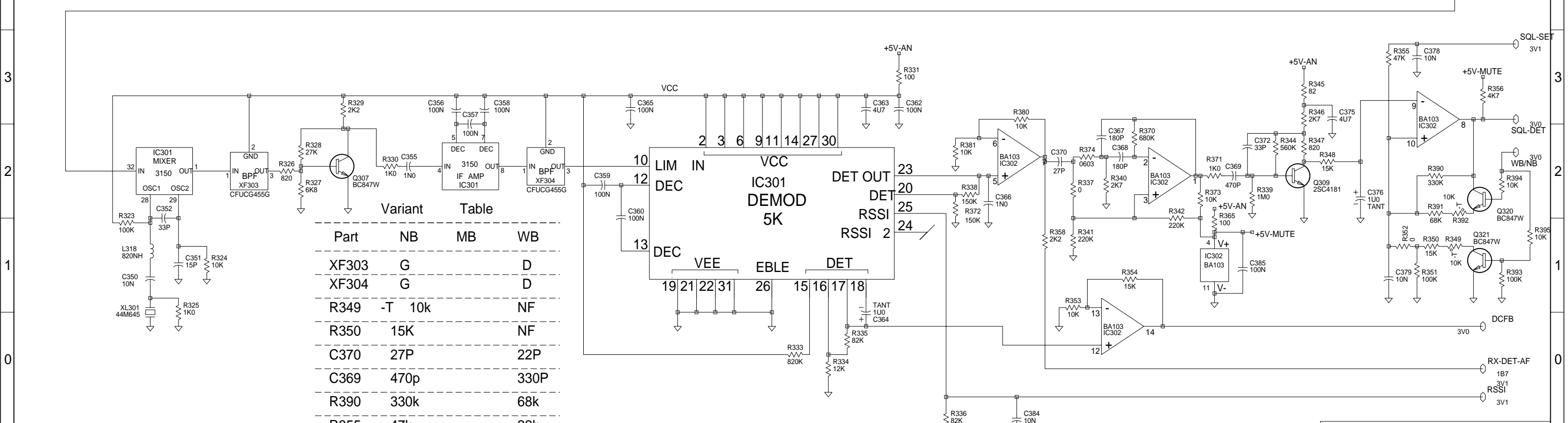
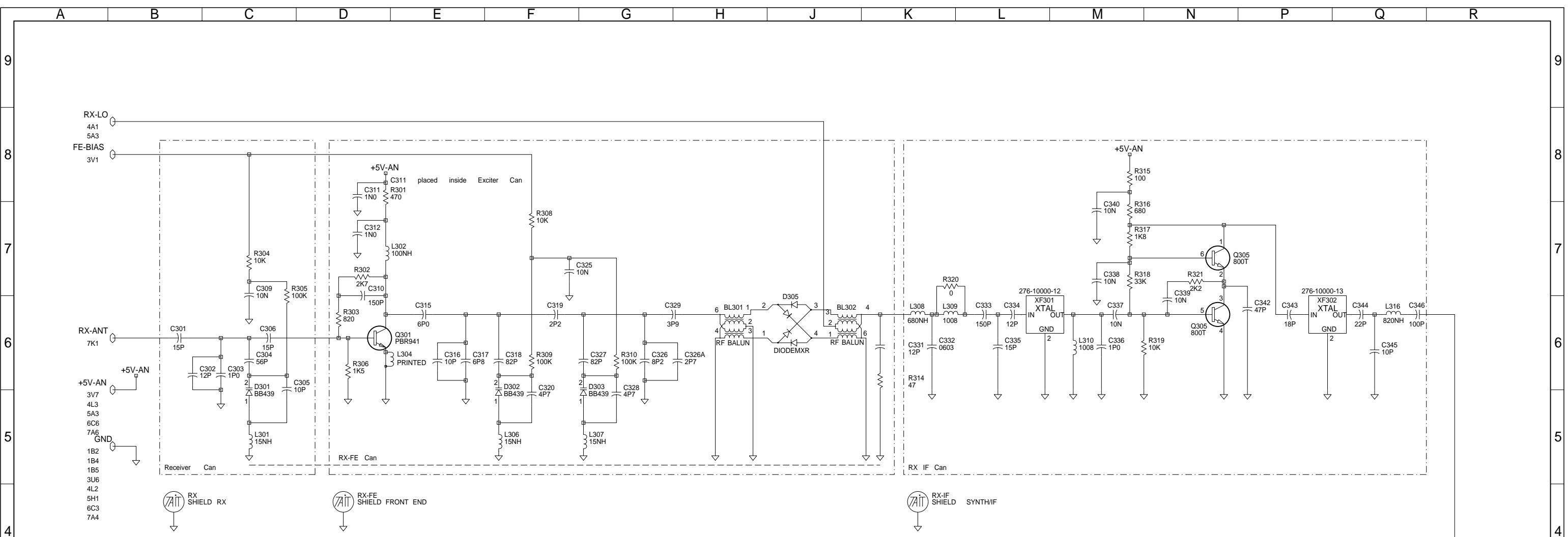
09A	CCO. NO. 1503-016	BRD		28-05-01		
07B	CCO. NO. 1503-015	BRD		19-02-01		
07A	COMP OBSOLESENCEN CCO.1503-013	BRD		03-11-00		
06A	COMPONENT OBS. CCO NO. 1503-012	BRD		06-04-00		
REV/ISS	AMENDMENTS	DRAWN	CHKD	D.O.	APVD	DATE

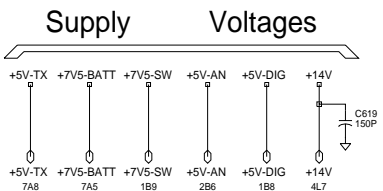
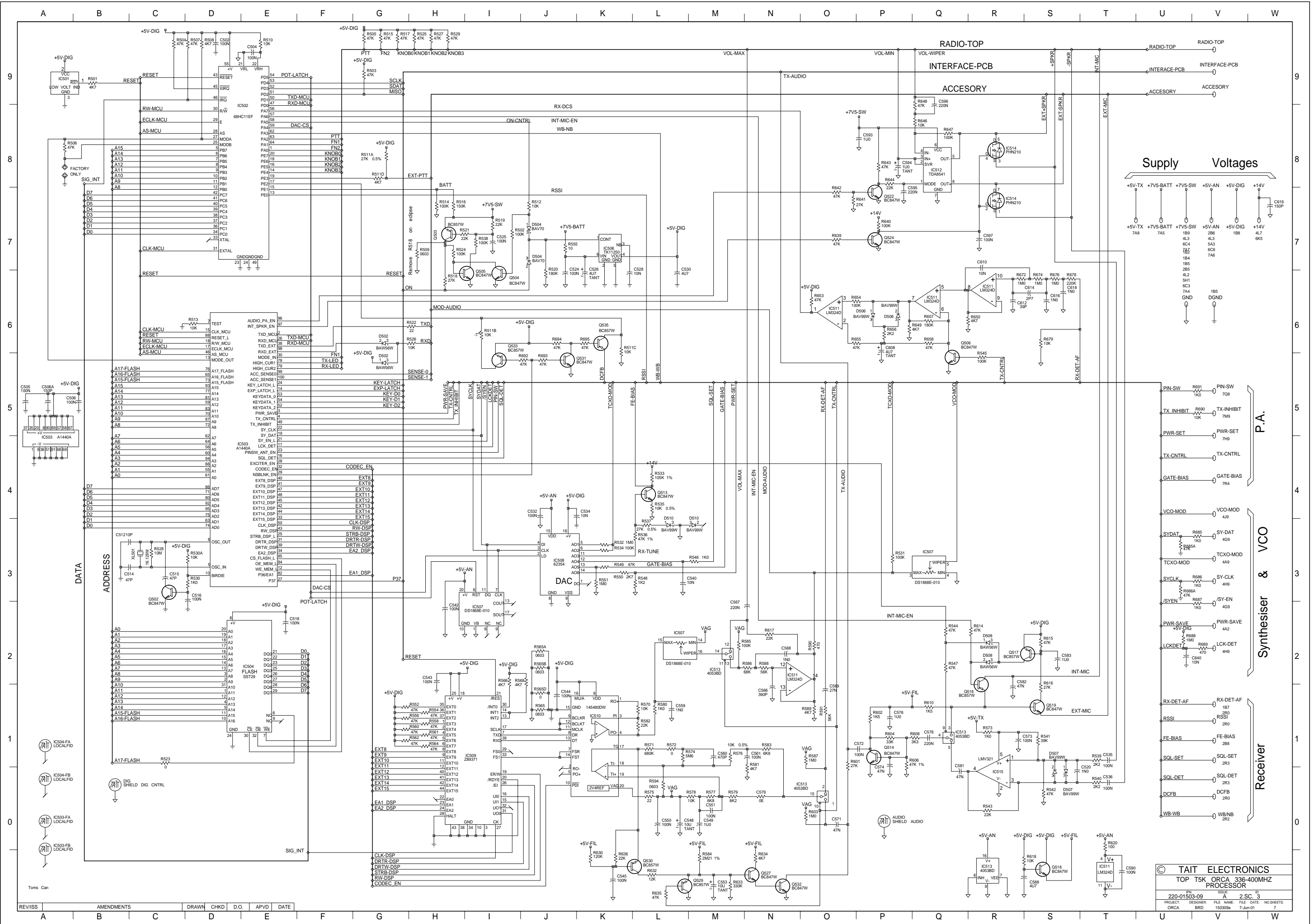


© **TAIT ELECTRONICS**
TOP T5K ORCA 336-400MHZ SYSTEM DIAGRAM

IPN: 220-01503-09
 ISSUE: A
 ID: 2.S.C. 1

PROJECT: ORCA
 DESIGNER: BRD
 FILE NAME: 150309a
 FILE DATE: 7-Jun-01
 NO.SHEETS: 7

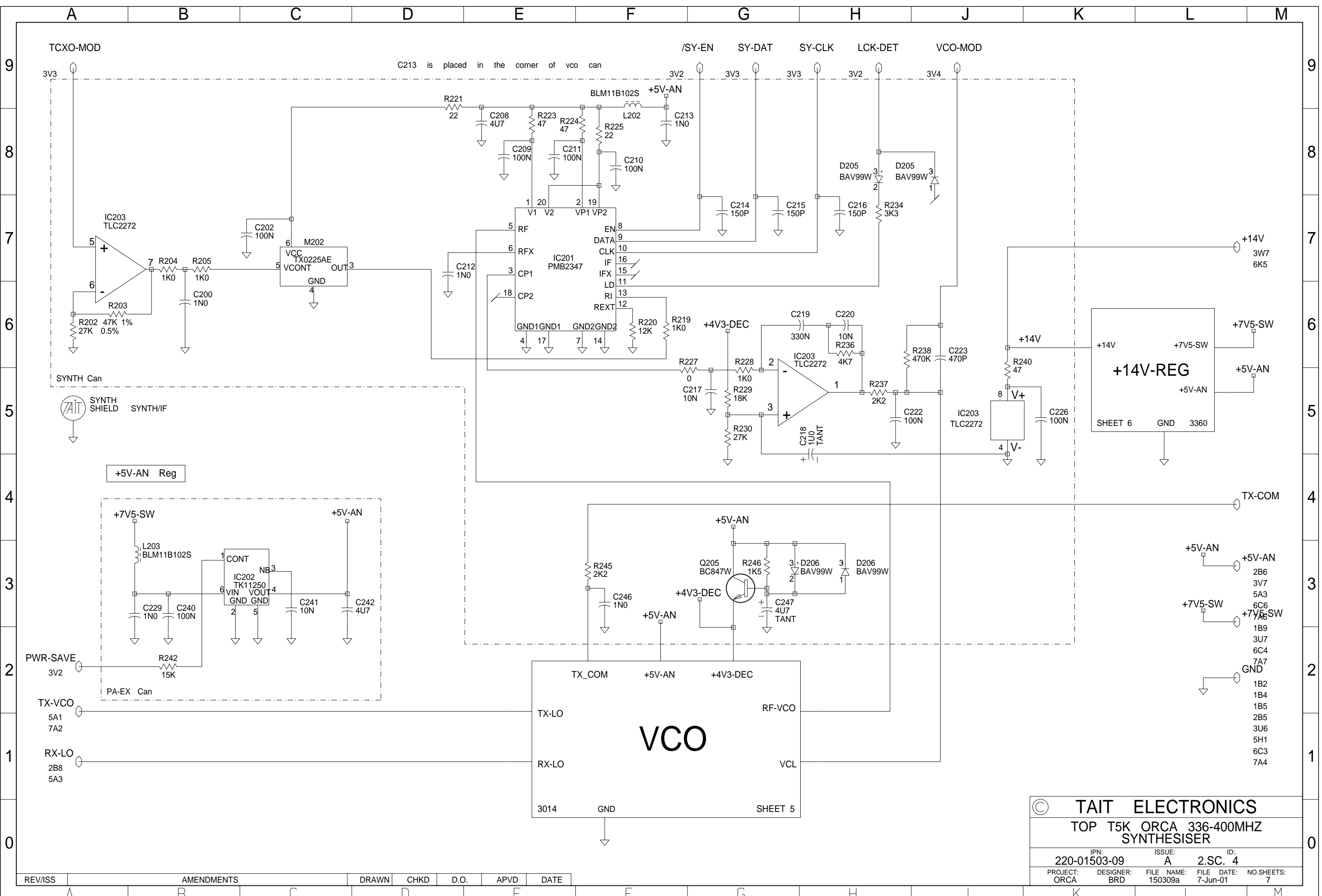




- | | | |
|------------|-----|-------------------|
| PIN-SW | 708 | P.A. |
| TX-INHIBIT | 7M9 | |
| PWR-SET | 7H9 | |
| TX-CNTRL | 7R4 | |
| GATE-BIAS | 7R4 | Synthesiser & VCO |
| VCO-MOD | 4I9 | |
| SYDAT | 4G9 | |
| TCXO-MOD | 4A9 | |
| SYCLK | 4H9 | |
| SYEN | 4G9 | Receiver |
| PWR-SAVE | 4A2 | |
| LCK-DET | 4H9 | |
| RX-DET-AF | 2R0 | |
| RSSI | 2R0 | |
| FE-BIAS | 2B8 | Receiver |
| SQL-SET | 2R3 | |
| SQL-DET | 2R3 | |
| DCFB | 2R0 | |
| WB-WB | 2R2 | |

© TAIT ELECTRONICS
 TOP T5K ORCA 336-400MHZ
 PROCESSOR
 220-01503-09
 2-SC-3
 PROJECT DESIGNER FILE NAME FILE DATE NO SHEETS
 ORCA BRD 150309a 7-Jun-01 7

REV/ISS	AMENDMENTS	DRAWN	CHKD	D.O.	APVD	DATE
A						



C213 is placed in the corner of vco can

VCO
SHEET 5
3014 GND

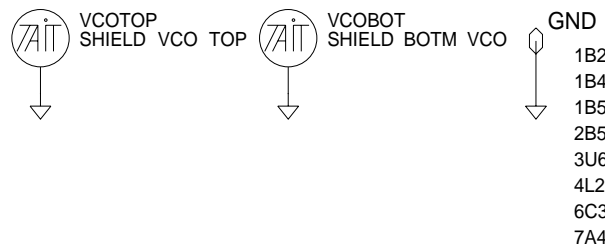
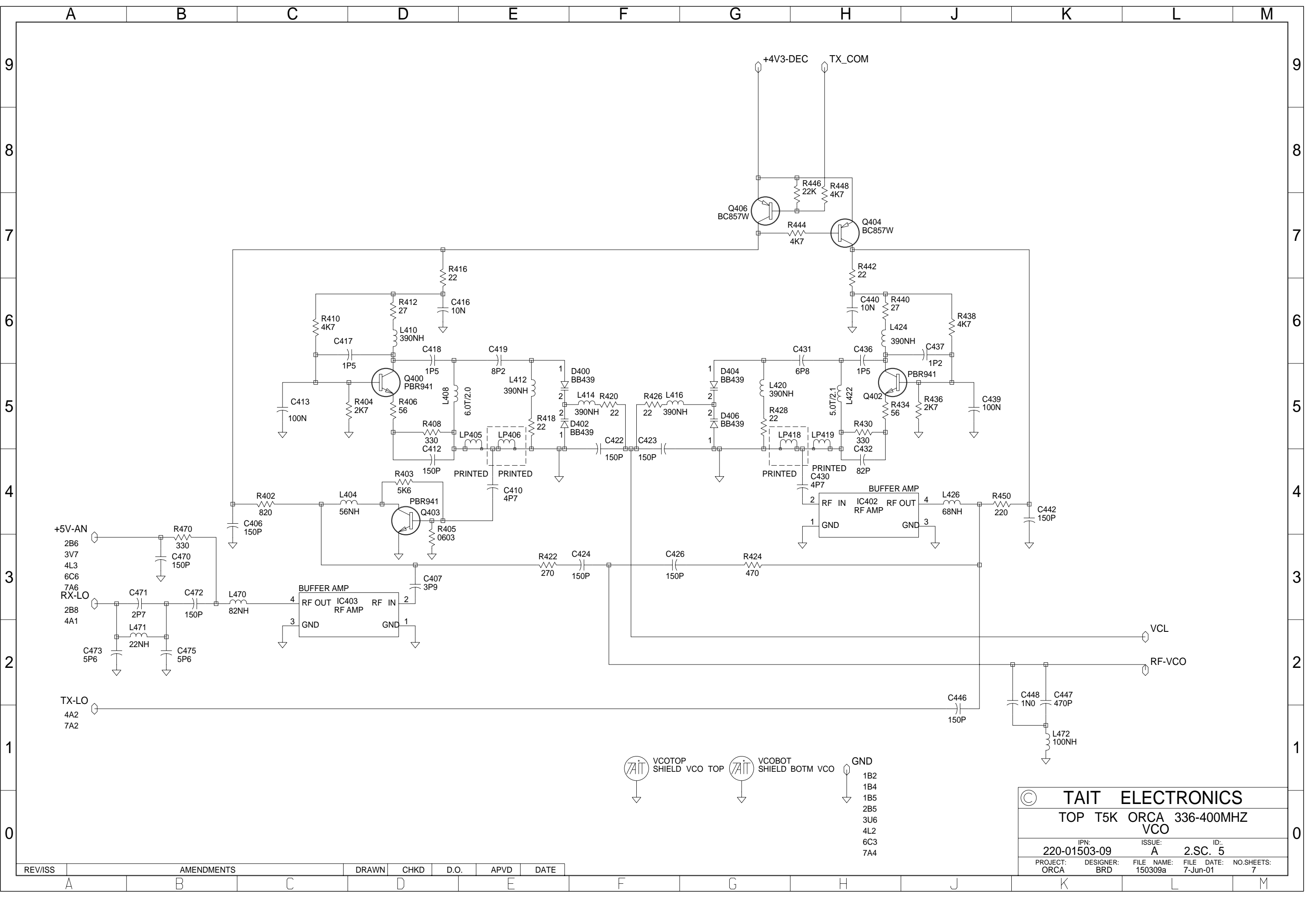
+14V-REG
SHEET 6
+14V GND 3360

+5V-AN Reg

PA-EX Can

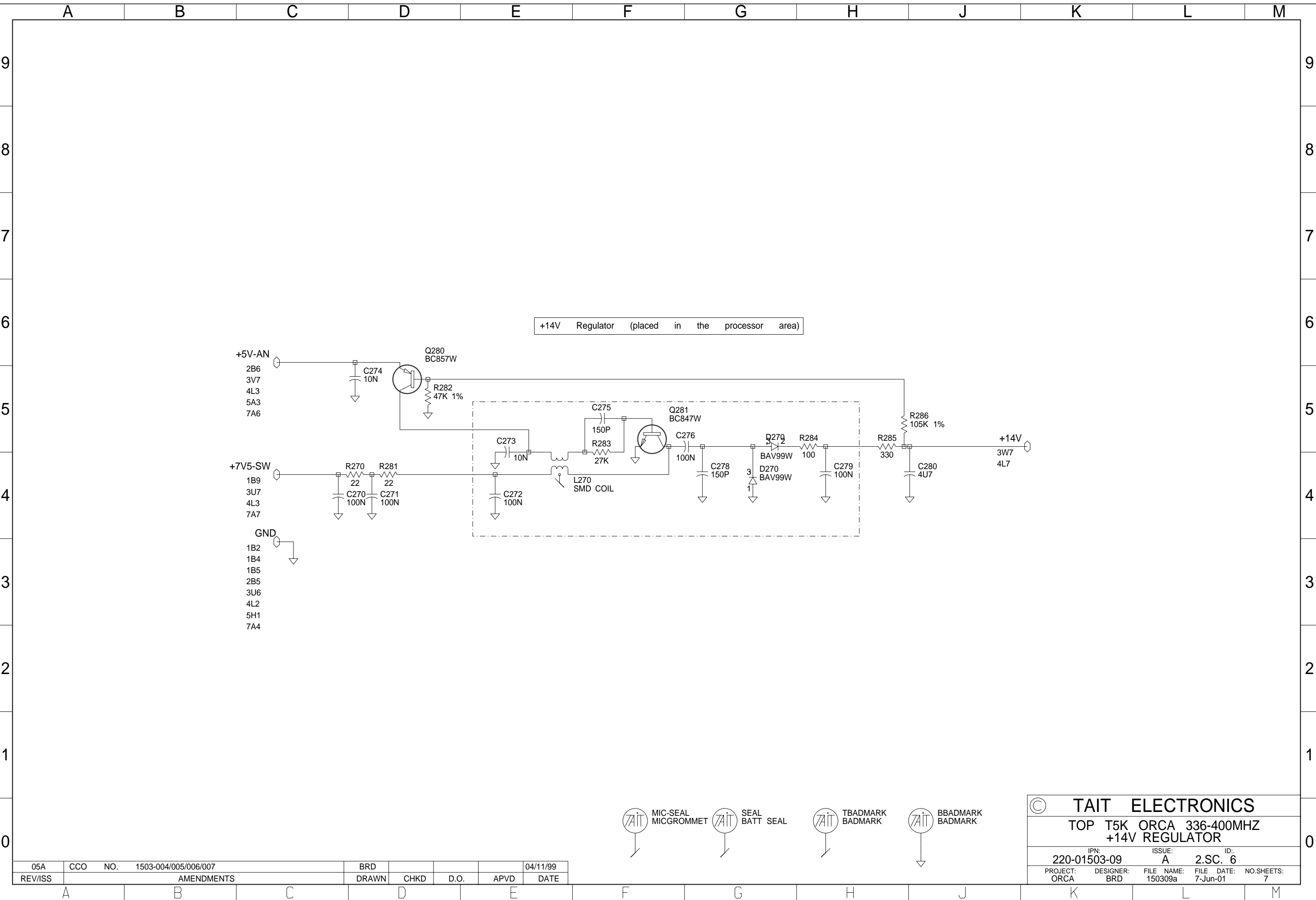
© TAIT ELECTRONICS				
TOP T5K ORCA 336-400MHZ SYNTHESISER				
IPN:	ISSUE:	ID:		
220-01503-09	A	2.SC. 4		
PROJECT:	DESIGNER:	FILE NAME:	FILE DATE:	NO.SHEETS:
ORCA	BRD	150309a	7-Jun-01	7

REV/ISS	AMENDMENTS	DRAWN	CHKD	D.O.	APVD	DATE
---------	------------	-------	------	------	------	------

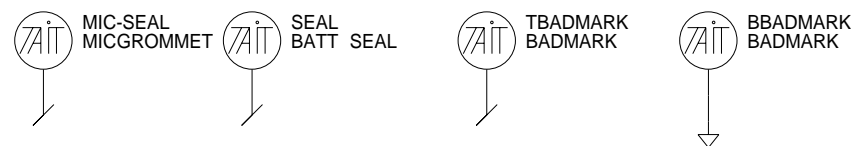
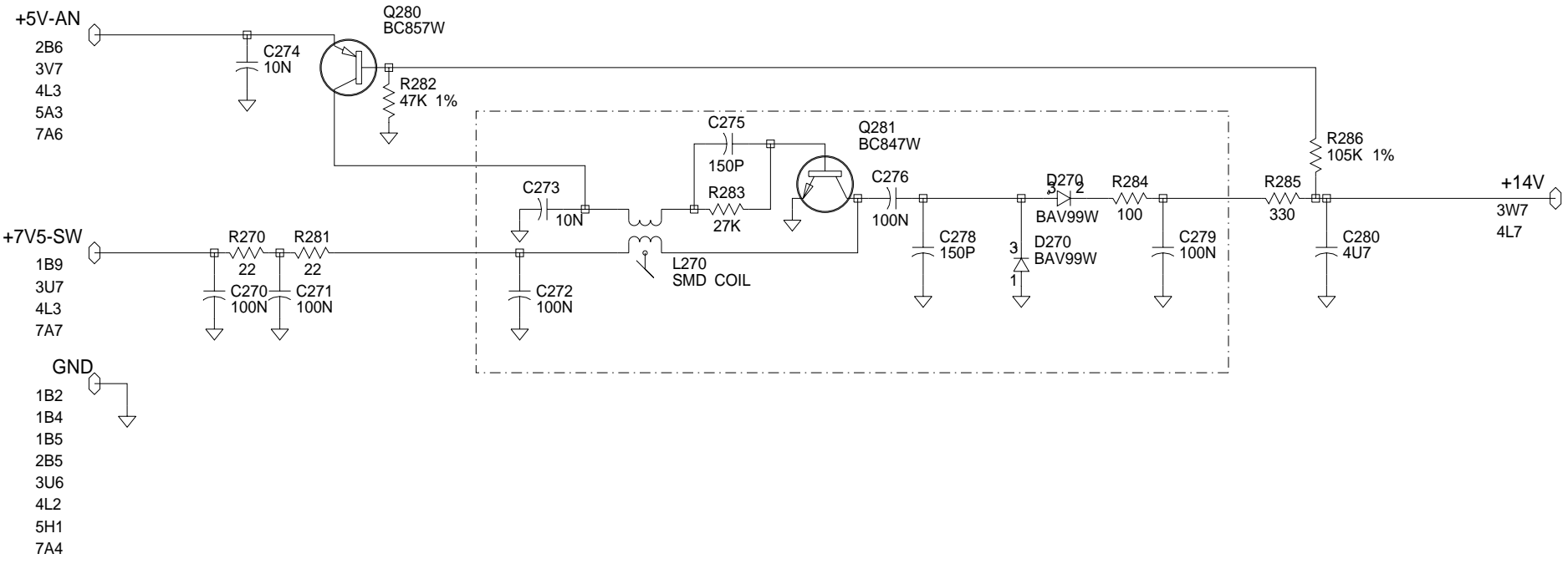


© TAIT ELECTRONICS				
TOP T5K ORCA 336-400MHZ VCO				
IPN:	ISSUE:	ID.:		
220-01503-09	A	2.SC. 5		
PROJECT: ORCA	DESIGNER: BRD	FILE NAME: 150309a	FILE DATE: 7-Jun-01	NO.SHEETS: 7

REV/ISS	AMENDMENTS	DRAWN	CHKD	D.O.	APVD	DATE

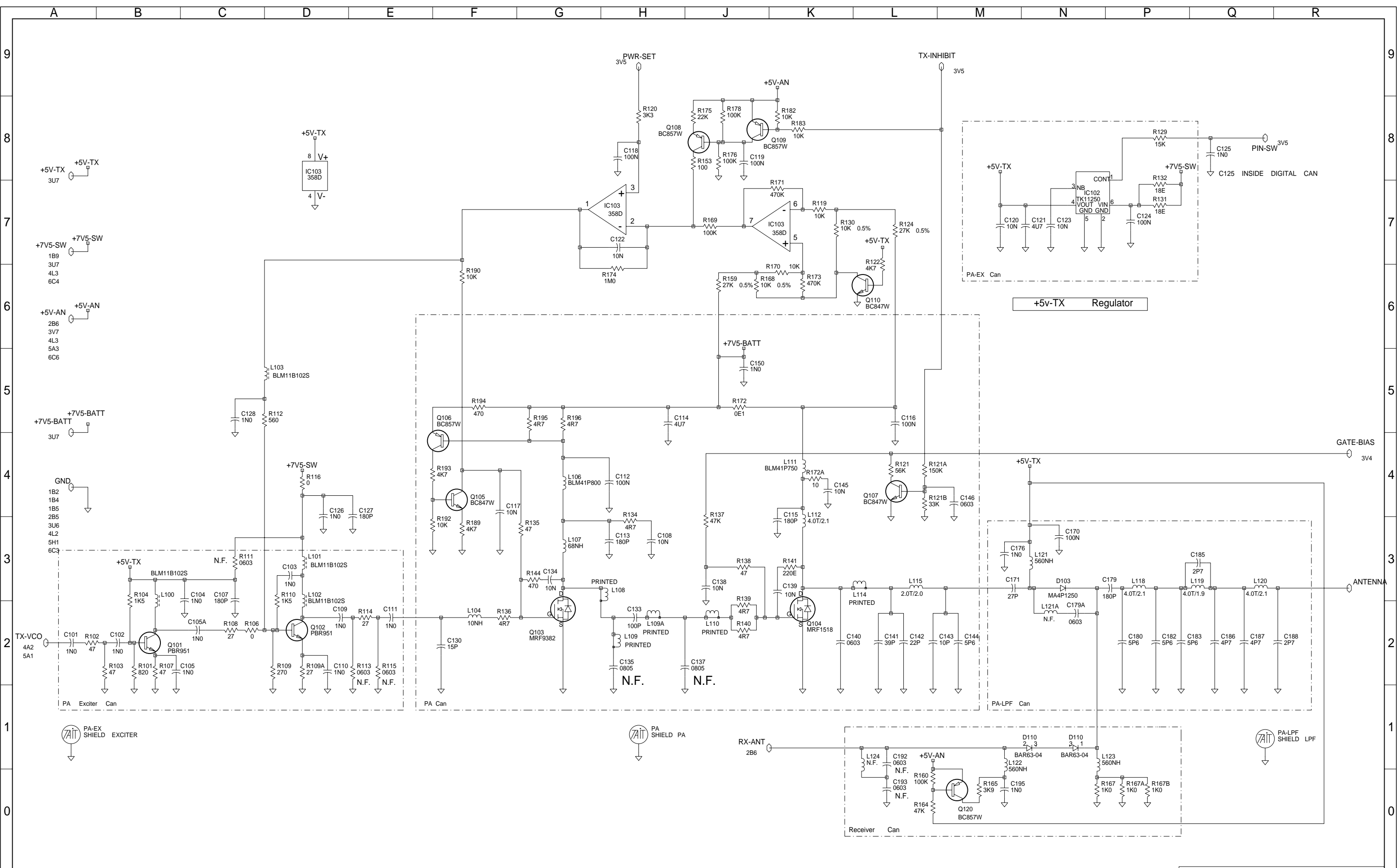


+14V Regulator (placed in the processor area)



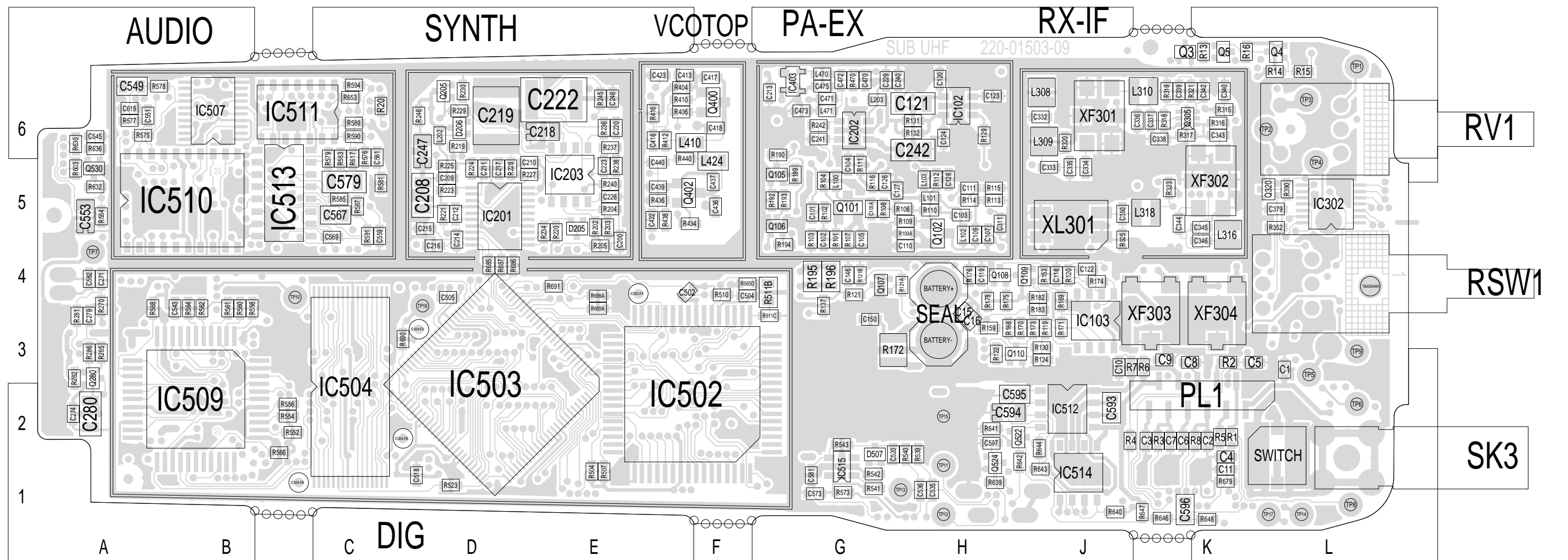
© TAIT ELECTRONICS	
TOP T5K ORCA 336-400MHZ +14V REGULATOR	
IPN: 220-01503-09	ISSUE: A 2.SC. 6
PROJECT: ORCA	DESIGNER: BRD
FILE NAME: 150309a	FILE DATE: 7-Jun-01
NO. SHEETS: 7	

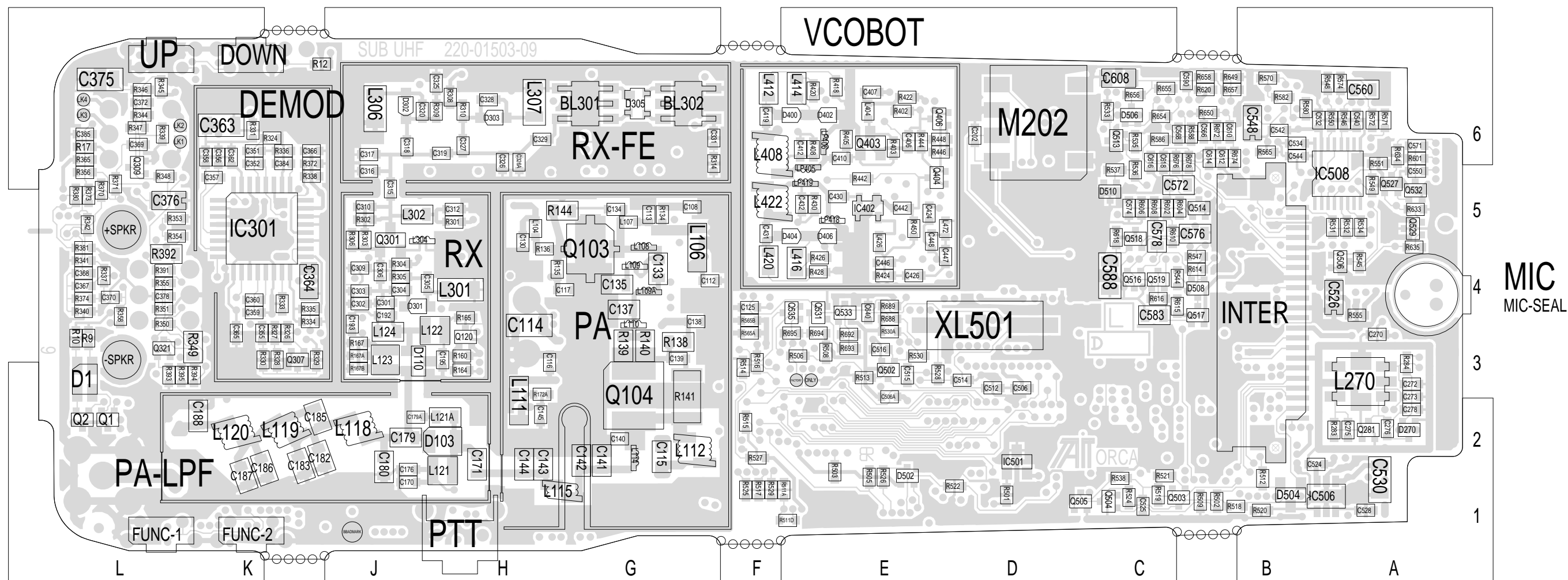
05A	CCO	NO. 1503-004/005/006/007	BRD			04/11/99
REV/ISS	AMENDMENTS		DRAWN	CHKD	D.O.	APVD DATE



© TAIT ELECTRONICS
 TOP T5K ORCA 336-400MHZ
 POWERAMP
 IPN: 220-01503-09 ISSUE: A ID: 2.S.C. 7
 PROJECT: ORCA DESIGNER: BRD FILE NAME: 150309a FILE DATE: 7-Jun-01 NO.SHEETS: 7

REV/ISS	AMENDMENTS	DRAWN	CHKD	D.O.	APVD	DATE
A						





TAIT ELECTRONICS IPN: 220-01503-09 ISS: A ID: 6.BA DATE: 7 Jun 2001
 SUB UHF PCB LAYOUT - BOTTOM SIDE

Scale: 2.3:1 ; Rotation: 0 degrees